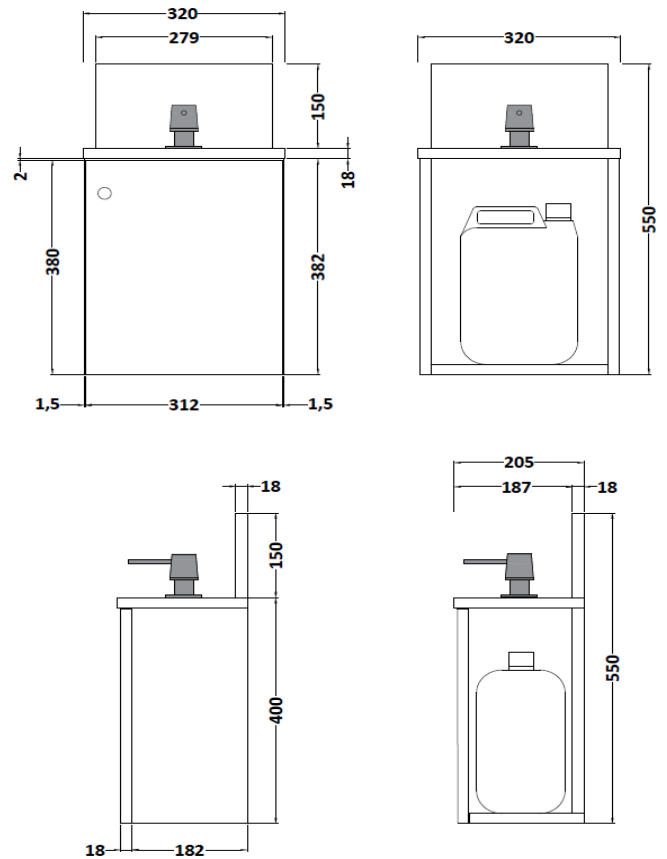


SALES CODE:

MHS03

DESCRIPTION:

WALL HUNG HAND SANITISER STATION



PRODUCT DIMENSIONS

Height	Width	Depth	Nett Weight
550mm	320mm	205mm	0.0 Kg

PACKAGING DIMENSIONS

Length	Width	Depth	Gross Weight
575mm	345mm	230mm	0.0 Kg

PACKAGING DATA

Box Colour	Brown Cardboard Box - Printed		
Box Qty	1	Label Colour	White
Label Size	100 x 50mm	Label Qty	2

OUTER BOX DIMENSIONS (If Applicable)

Length	Width	Depth	Gross Weight
Barcode	5056211887393		

PRODUCT DETAILS

Country of Origin	UK	Certification	FCS	Yes	CE	N/A
Fitting Instruction	N/A	Colour	Stone Grey			
Constr' Method	Rigid	Constr' Type	Cam & Wood Dowel			
Cabinet Finish	MFC Smooth Matt	Fascia Finish	MFC Smooth Matt			
Cabinet Thickness	18mm	Fascia Thickness	18mm			
Cabinet Edging	0.8mm / 2mm ABS	Fascia Edging	2mm ABS			
Drawer Included	N/A	Drawer Type	N/A			
No of Shelves	1					
Hinge Inc'	Yes	Hinge Type	95 Degree Clip-on Softclose			
Fixings Inc'	N/A	Adjustable Legs	No Not required			
Handle Inc'	N/A	Handle Style	N/A			
Handle Type	N/A	Waste Shroud	N/A			